



Oil Maintenance Procedures for Ride-ons with external expansion tank

Normally the model K46 transaxle, that is featured in many tractor & rider models, does not require any servicing for the life of the vehicle. However, if there is a desire to check or replace oil, it may be necessary to remove the transaxle from the vehicle in order to access the black cap located under the pulley & fan.

After placing the transaxle on a bench surface remove the fan & pulley and pry open the black cap and remove magnet (see Fig #1). Invert transaxle to allow oil to drain from case through the port under black cap.

Refill transmission case with oil through same port to near top of case. Tuff Torq recommends refilling transmission with ***TUFF TECH premium hydrostatic drive fluid.***

Reinstall magnet & cap. While reinstalling the fan & pulley on drive shaft be sure to place all components in the same order as they were removed.

In professional and heavy usage applications oil changing is recommended after the 1st 50 hours of operation and every 200 hours, thereafter. The filter should never require changing unless the transaxle is removed from the tractor or rider and opened for repairs.

After purging the transaxle of air add additional oil through tank opening (under vent valve) until recommended oil level is reached. (see Figure #3 below for recommended oil level)

Figure #1



Figure #2

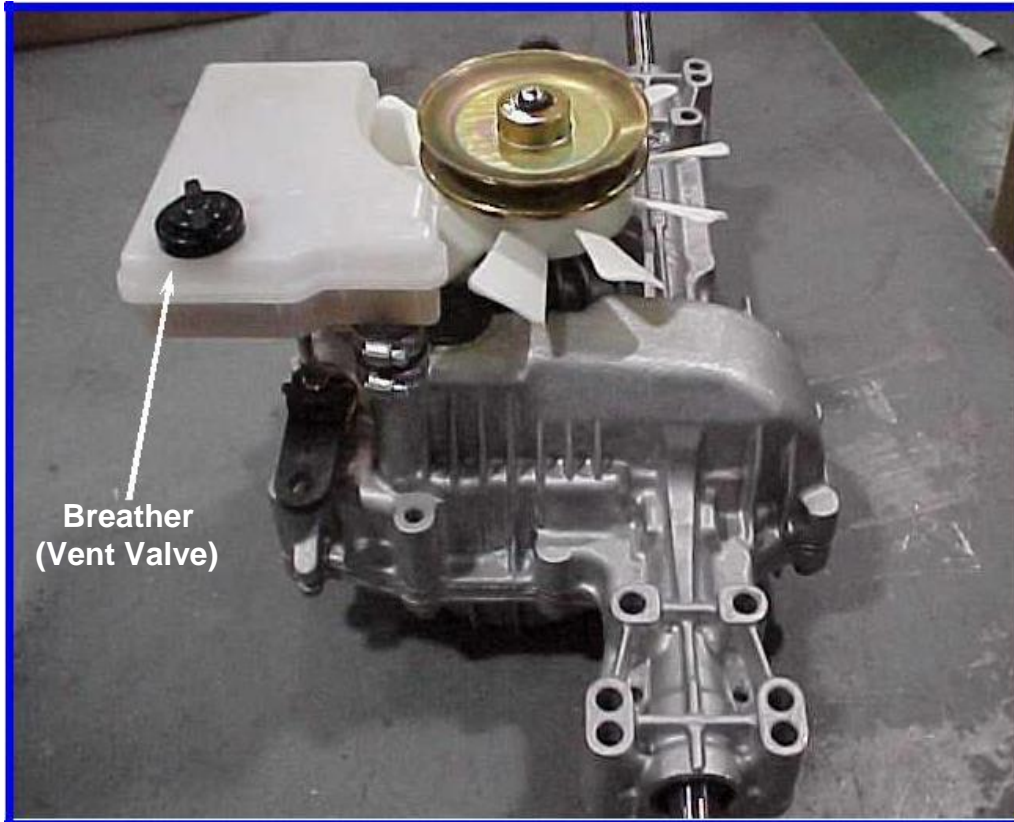


Figure #3

